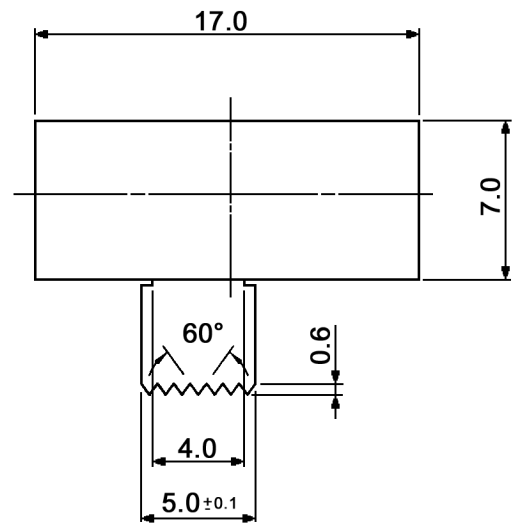
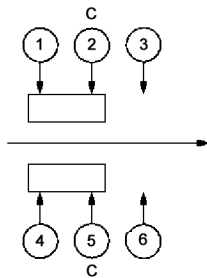


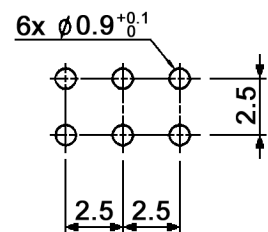
CIRCUIT DIAGRAM
C: COMMON PIN



Specifications:

- Contact rating: 0.3 A, 30 V DC
- Contact resistance: 20 mOhm max.
- Insulation resistance: 100MOhm min. at 500 V DC for 1 minute +/-5 sec.
- Dielectric strength: 500 V AC (50/60 Hz, 2 mA) for 1 minute
- Operating temperature: -25°C to +85°C
- Mechanical life: 10 000 cycles
- Operating force: 200 +/-100 gf
- Soldering conditions: 260 +/-5 °C, 3 +/-0.5 sec.
- Material: Terminal: strip, C2680R-H, silver plated
Frame: SPCC, tin plated
Base: phenolic resin, natural
Contact clip: PBS, C5210R-EH, silver cladding
Steel ball: carbon steel, natural
Spring: SWS, temper
Slider: PBT, black

HOLE LAYOUT \varnothing 0.05
TOP VIEW



Compliance: RohS III (2015/863/EU)

Tolerances: up to 10: ±0.2mm above 10-50: ±0.3mm	Date	Name
	07/21	dr
Modifications	Date	Name

MFP 2220-R

30 46 70

Page

1/1

knitter-switch